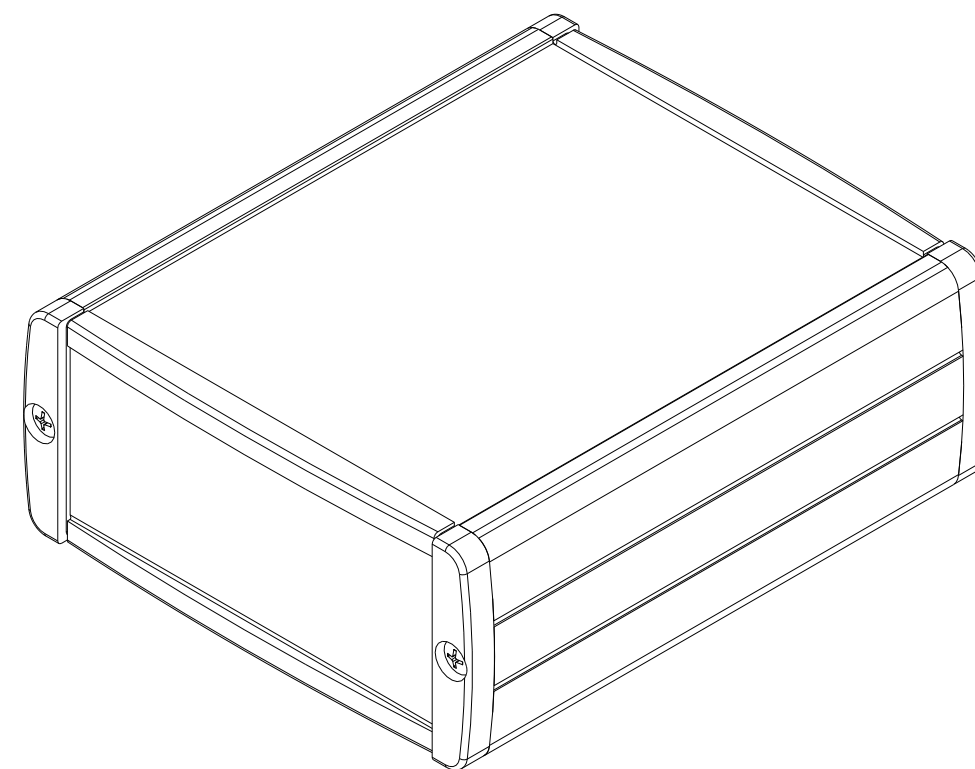
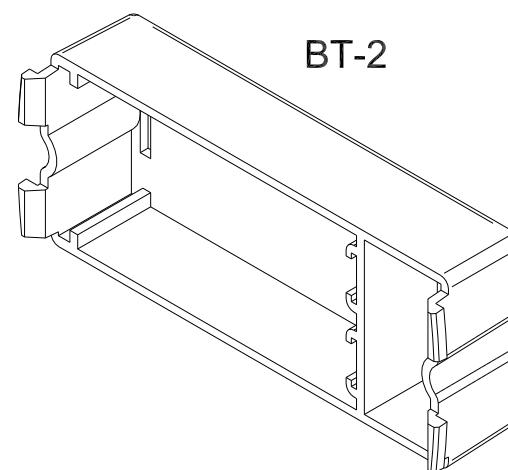
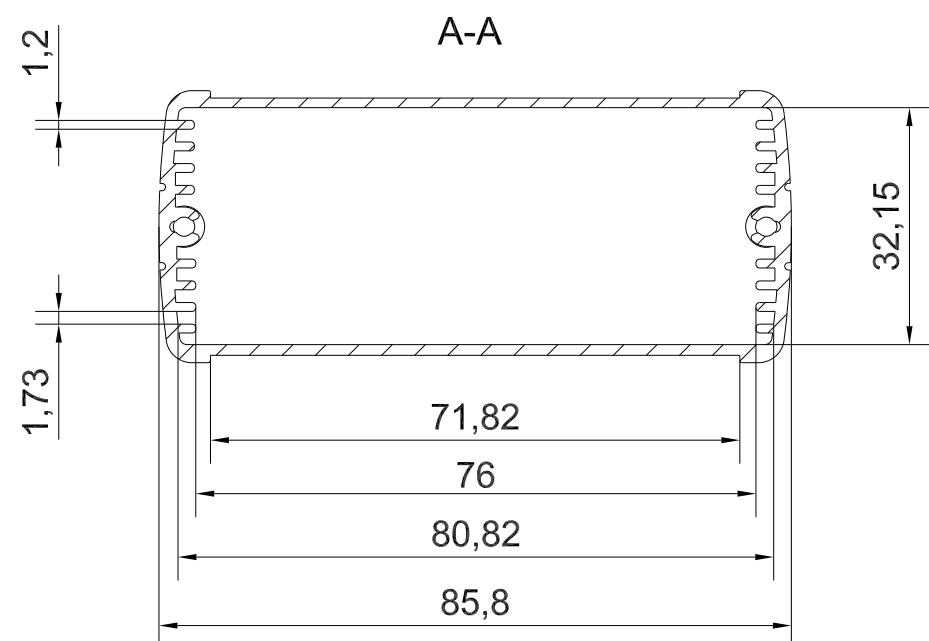
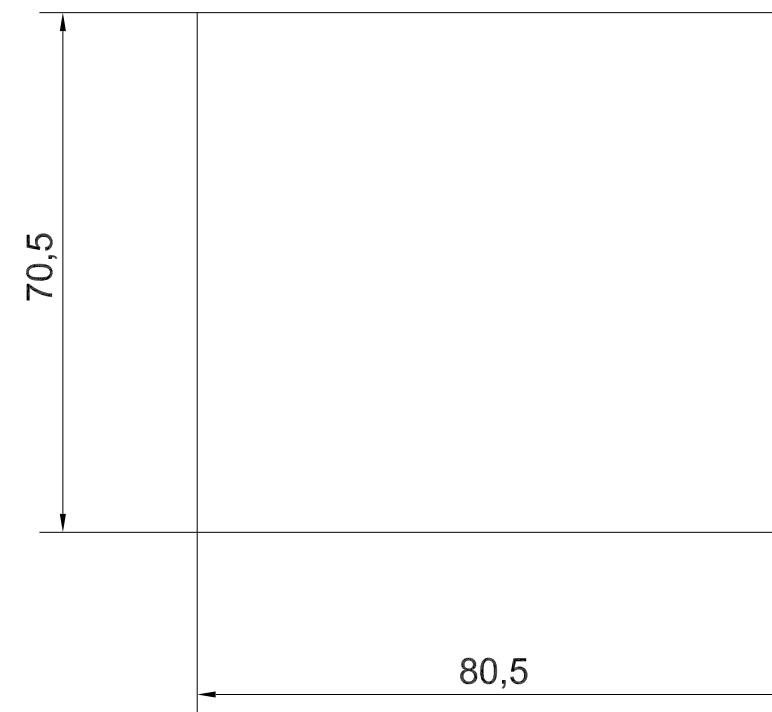


MAXIMUM PCB SIZE



|  |   |                   |                            |
|--|---|-------------------|----------------------------|
|  | Denomination  | Part. Number      |                            |
|  | <b>Assembly TEKAL-21B</b>   | <b>TEKAL-21B</b>  |                            |
|  | Subject to technical modification without prior notice.<br>Tipographical and other errors do not justify any claim for damages.<br>All dimensions should be verified using an actual moulded part.  | Rev. Index        | Scale                      |
|  | This document contains proprietary information of <b>TEKO S.p.a.</b> and is tendered subject to the conditions that the information be retained in confidence not be reproduced or copied and not be used or incorporated in any product. | Date              | <b>1:1</b>                 |
|  |   | <b>27/04/2005</b> | Format design<br><b>A3</b> |